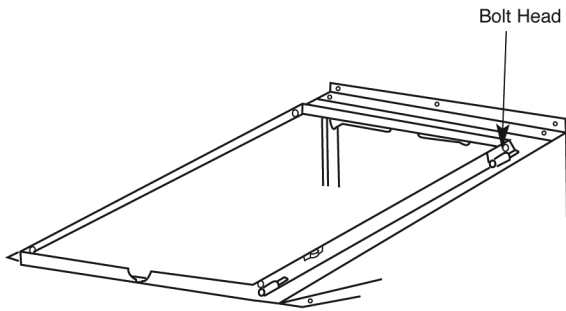


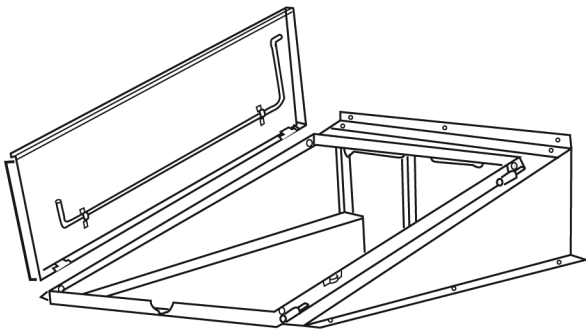
CD INSTALLATION

STEP 1-ASSEMBLE FRAME



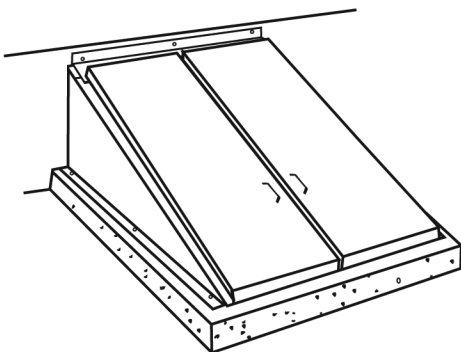
Use 1/4" bolts and nuts from hardware package. Bolt heads must face the outside of the door frame. Nuts on the inside.
NOTE: The sill bends toward the house.

STEP 3- SLIDE ON DOOR PANELS



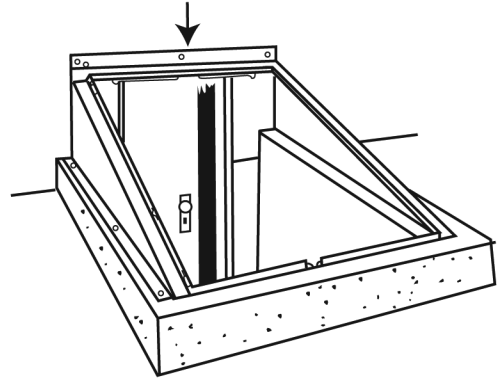
Align the door with the upper and lower pins. Slide door bushing onto door pins.

STEP 5- ALIGN AND ADJUST DOOR PANELS



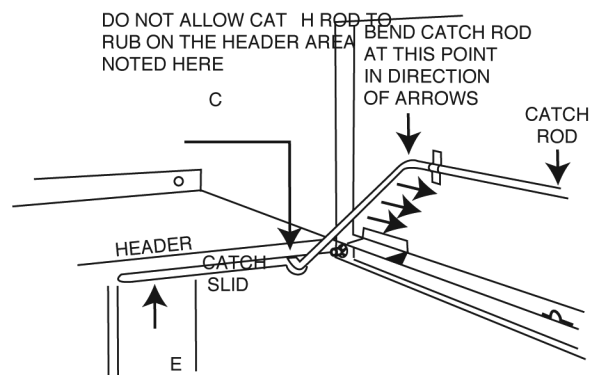
Adjust frame and doors by moving them from side to side until you find the point at which the doors will open and close without binding.

STEP 2-ATTACH FRAME TO HOUSE



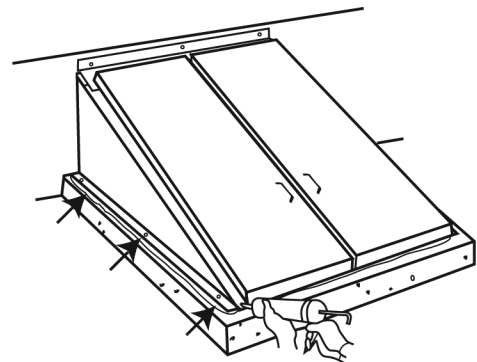
Align frame on foundation and attach **only** at center hole in header.

STEP 4-INSTALL CATCH RODS



Install catch rods into catch slides. Adjust rods by bending them slightly. Do not allow them to rub on the header.

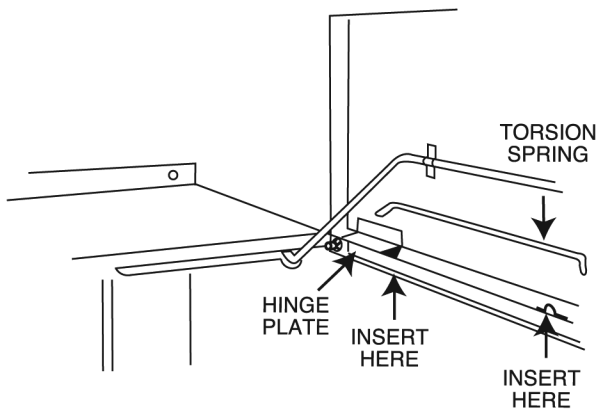
STEP 6-DRILL AND ATTACH FRAME



Use prepunched holes in sides and sill as a guide, drill holes onto the foundation 1 3/4" deep using a 1/4" masonry bit. Install plastic rawl plugs and fasten with 1 1/2" screws until snug. Check door alignment again. Over tightening will cause misalignment.

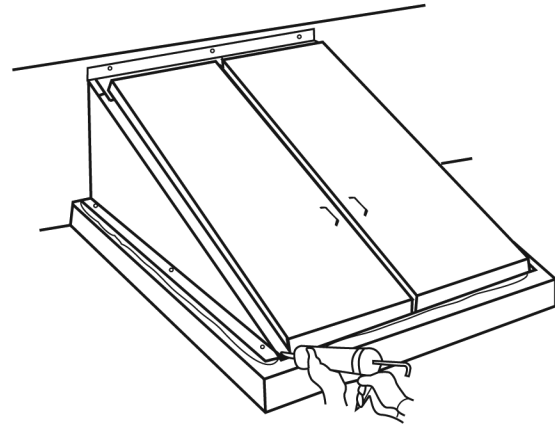
CD INSTALLATION (con't.)

STEP 7—INSTALL TORSION SPRINGS



Insert torsion springs by sliding the spring **under** the hinge plate. Point faces downward and inserts into spring clip. If new cement, allow to set before inserting springs. Models CD-1 and CD-2 have 2 torsion springs. Model CD-3 has 4 torsion springs.

STEP 8—CAULK FRAME

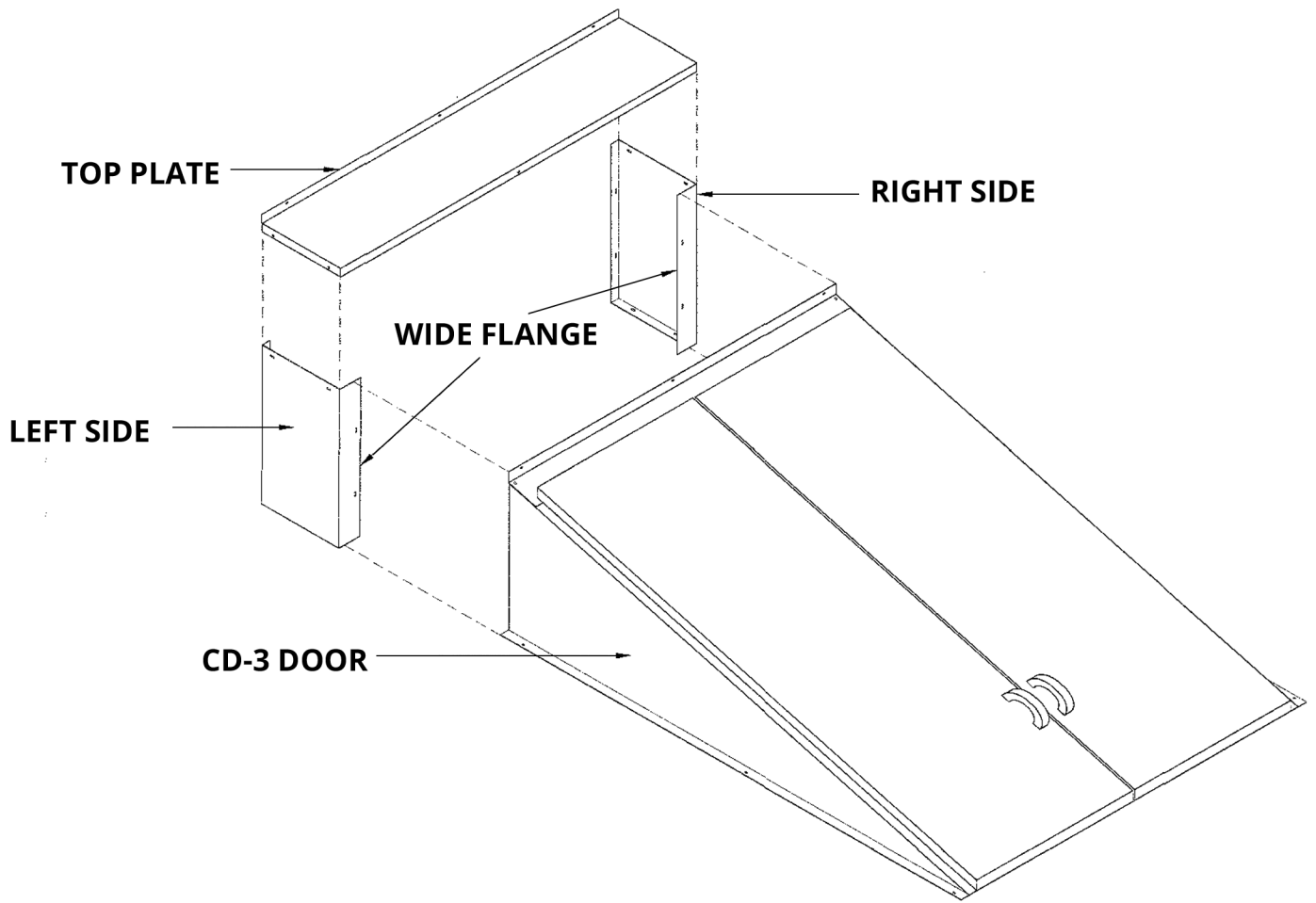


To avoid leakage caulk around frame and promptly paint the door using alkyd base outdoor metal enamel paint.
NOTE: Do not cement over flanges.

Extensions for CD-3 Gordon Cellar Door

ASSEMBLY INSTRUCTIONS

1. Assemble the CD-3 Gordon Cellar Door in accordance with the instructions with the Door package.
2. The CX Extension assembly consists of three parts: right side panel, left side panel and top plate. The wider flange on the side panels faces towards the CD-3 Door unit as shown below. Fasten each side panel to the CD-3 Door using (2) $\frac{1}{4}$ -20 x $\frac{3}{4}$ " bolts and nuts provided.
3. Install top plate so flanges overlap the side panels and header flange on the CD-3 Door. Fasten using $\frac{1}{4}$ -20 x $\frac{3}{4}$ " bolts and nuts; (5) total with nuts on the inside.
4. Move CD-3 Door and Extension assembly flush against the house and fasten through center hole in top plate with 1 $\frac{1}{4}$ " screw (Supplied with CD-3 Door). Align the door frame into position so that the doors open and close without binding. Fasten the door side panels (with CX extension) and sill to the foundation. Finish installing last (2) 1 $\frac{1}{4}$ " screws in top panel.
5. Caulk around door frame and CX Extension being sure to caulk where door side panels are joined to the CX Extension assembly. Promptly paint using alkyd base outdoor metal enamel paint.



HARDWARE SUPPLIED

- 11 - #12 x 1 1/4 Screws
- 11 - Green Rawl Plugs
- 11 - 1/4-20 x 3/4 Bolts
- 11 - 1/4-20 Nuts

2007, GORDON CORPORATION
170 Spring Street • Southington, Connecticut 06489
(860) 628-4775, FAX (860) 621-1251
www.gordoncelladoor.com